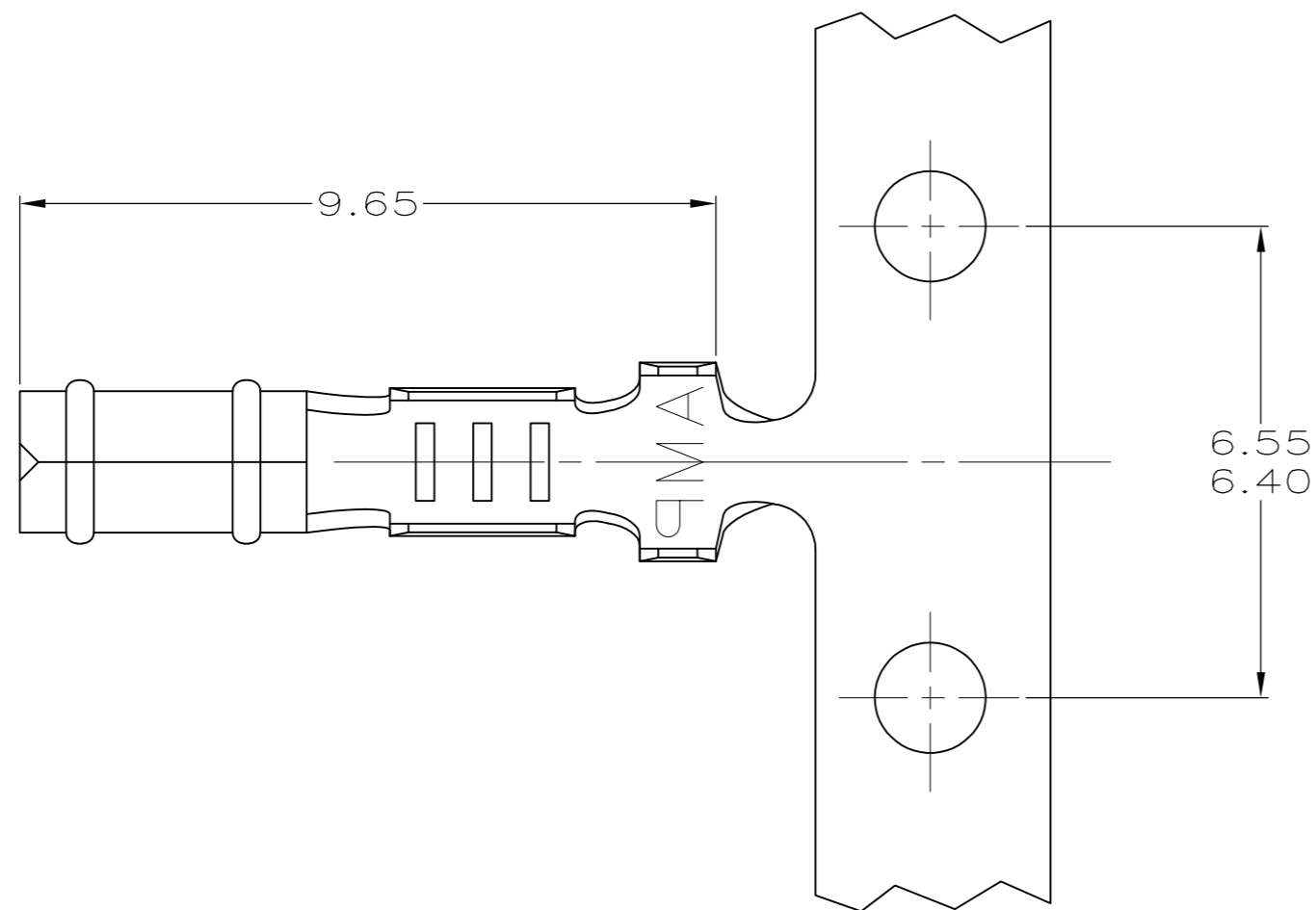


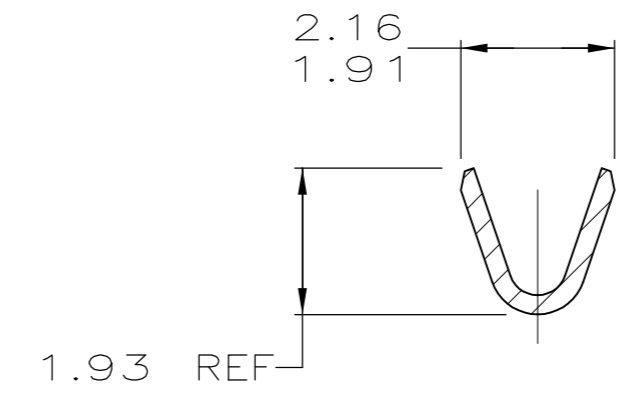
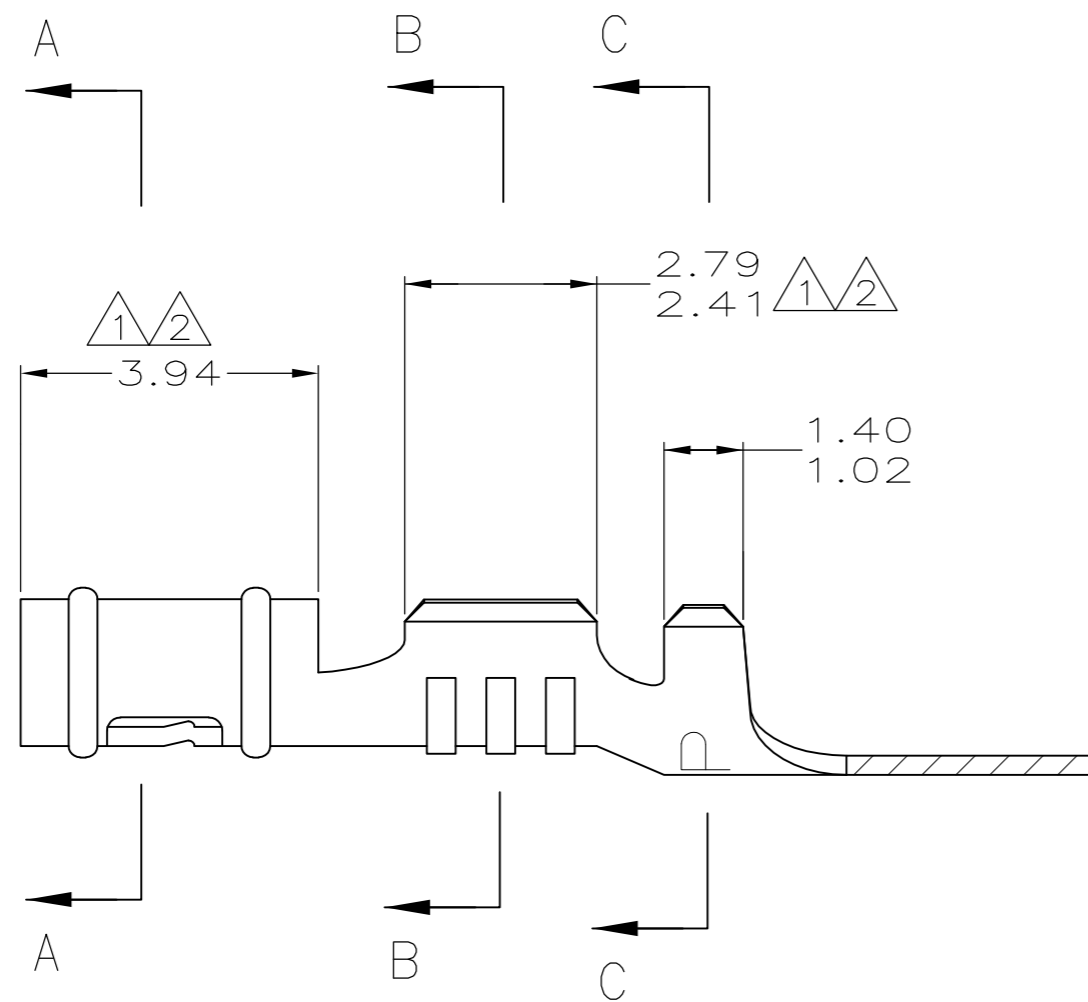
THIS DRAWING IS UNPUBLISHED. RELEASED FOR PUBLICATION  
 © COPYRIGHT - By - ALL RIGHTS RESERVED.

LOC	DIST	REVISIONS					
		P	LTR	DESCRIPTION	DATE	DWN	APVD
CM	52		AH1	REVISED PER ECO-11-004917	11MAR11	RK	HMR

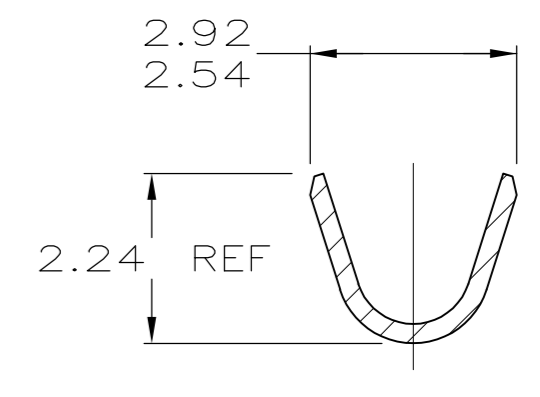
- ① 0.00038 MIN SELECTIVE GOLD PLATING ON INSIDE OF RECEPTACLE AND WIRE BARREL OVER NICKEL OVER ALL UNDERPLATE.
- ② 0.00076 MIN SELECTIVE GOLD PLATING ON INSIDE OF RECEPTACLE AND WIRE BARREL OVER NICKEL OVER ALL UNDERPLATE.
- 3. WIRE RANGE: 0.2 - 0.6 MM<sup>2</sup> (24 - 20 AWG)
- 4. INSULATION RANGE: 1.14 - 1.78
- ⑤ REVERSED REELED.



SECTION A-A



SECTION B-B

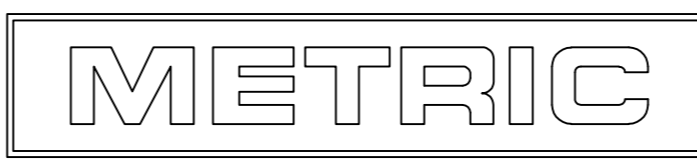


SECTION C-C

⑤	①	0.25 BE CU	60598-9
⑤	①	0.25 BE CU	60598-8
⑤	②	0.25 PH BRZ	60598-7
⑤	②	0.25 PH BRZ	60598-5
		MATTE TIN	0.25 BE CU
		PRE-TIN	0.25 PH BRZ
⑤		MATTE TIN	0.25 BE CU
⑤		PRE-TIN	0.25 PH BRZ
		FINISH	MATERIAL
			PART NUMBER

1.14	.045	1.91	.075	2.79	.110	-	-
1.02	.040	1.78	.070	2.54	.100	9.65	.380
0.25	.010	1.486	.0585	2.41	.095	6.55	.258
0.13	.005	1.47	.058	2.24	.088	6.40	.252
0.00076	.000030	1.40	.055	2.16	.085	3.94	.155
0.00038	.000015	1.359	.0535	1.93	.076	2.92	.115
MM	IN	MM	IN	MM	IN	MM	IN

CONVERSION TABLE



THIS DRAWING IS A CONTROLLED DOCUMENT.

DIMENSIONS: mm	TOLERANCES UNLESS OTHERWISE SPECIFIED:	DWN T. BECK 5-08-97	
		CHK R. SWING 5-08-97	
		APVD A. BEDDICK 8-22-97	TE Connectivity
		PRODUCT SPEC 108-1025	RECEPTACLE, .058 DIAMETER, 24-20 AWG, .045-.070 INSULATION, P.C. CONTACT
MATERIAL SEE TABLE	FINISH SEE TABLE	APPLICATION SPEC 114-1008	SIZE A2 CAGE CODE 00779 DRAWING NO C-60598
		WEIGHT -	RESTRICTED TO -
		CUSTOMER DRAWING	SCALE 10:1 SHEET 1 of 1 REV AH1